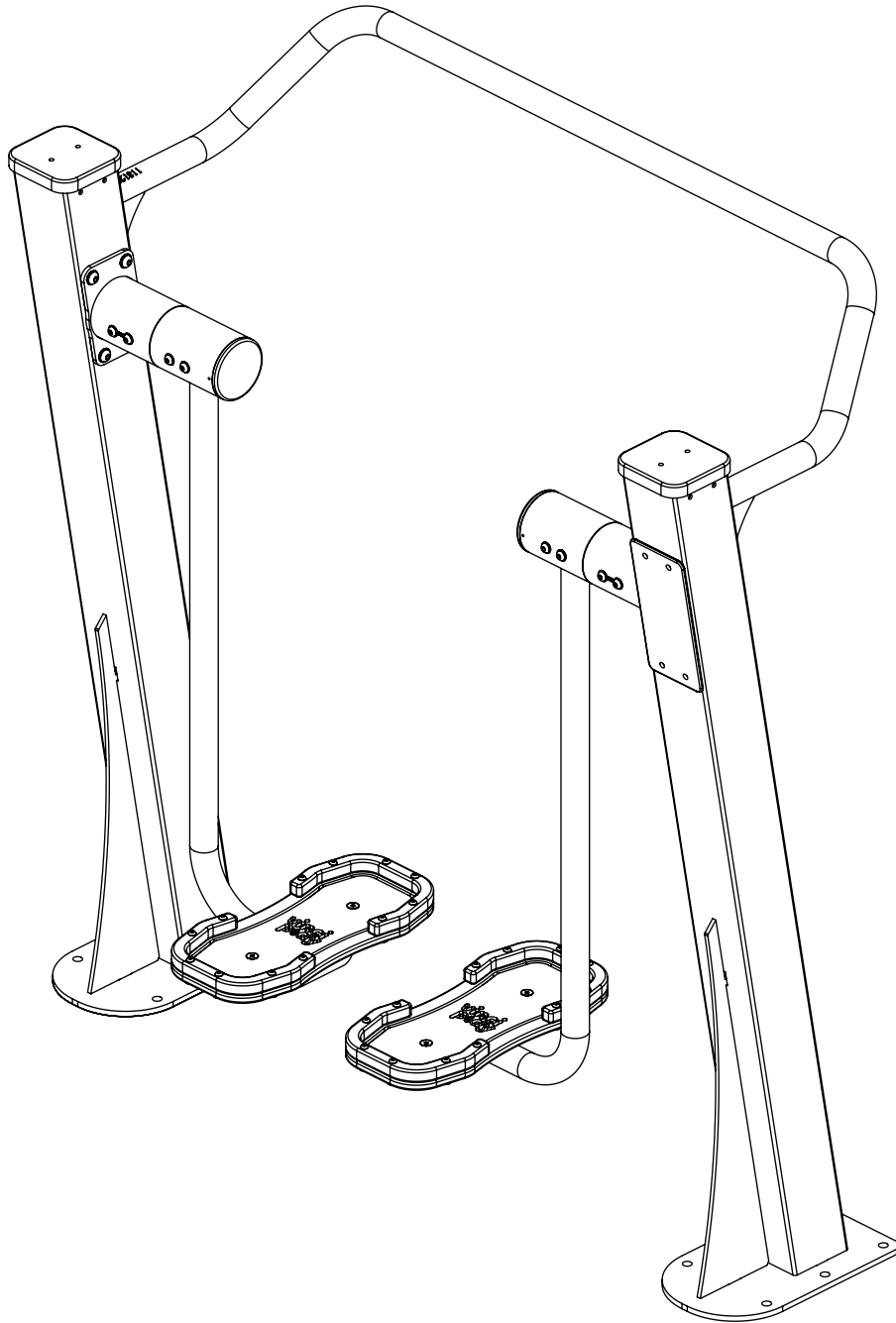
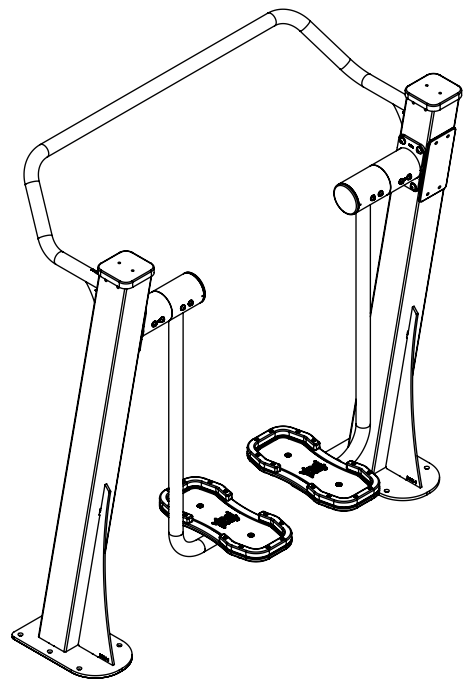
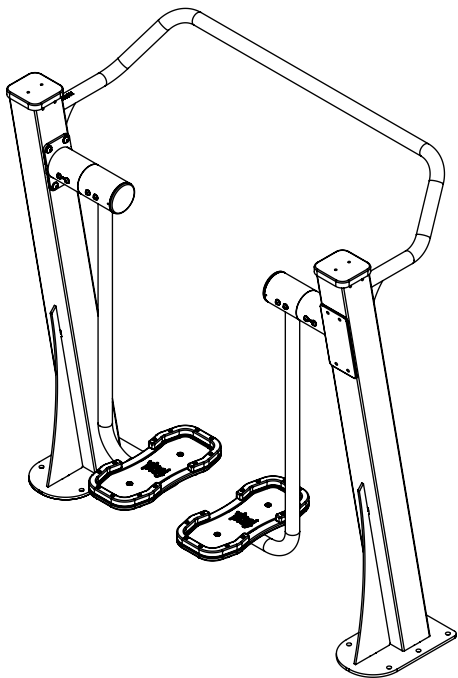
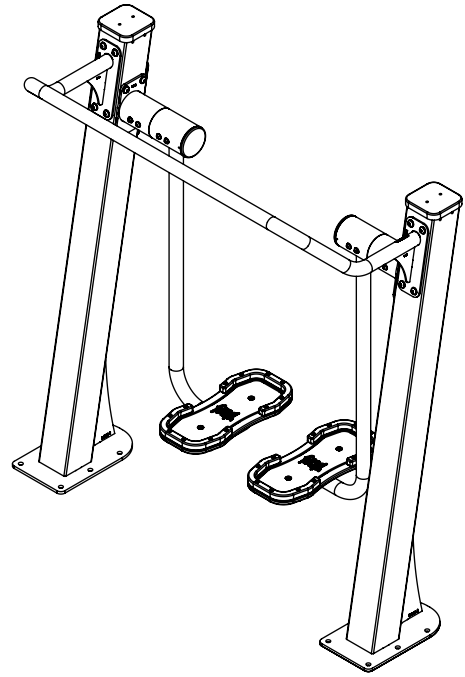
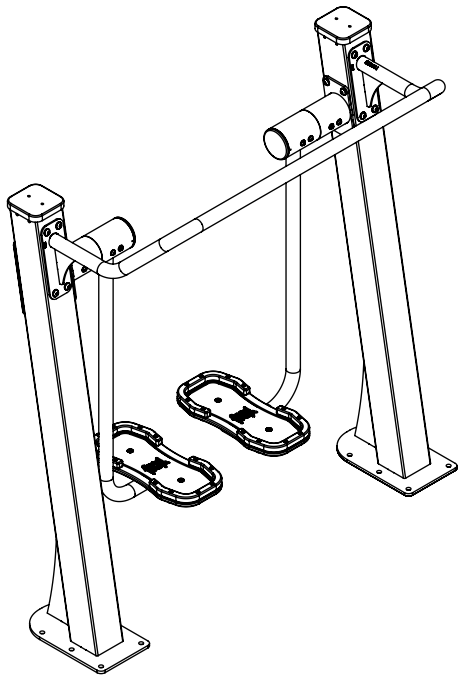


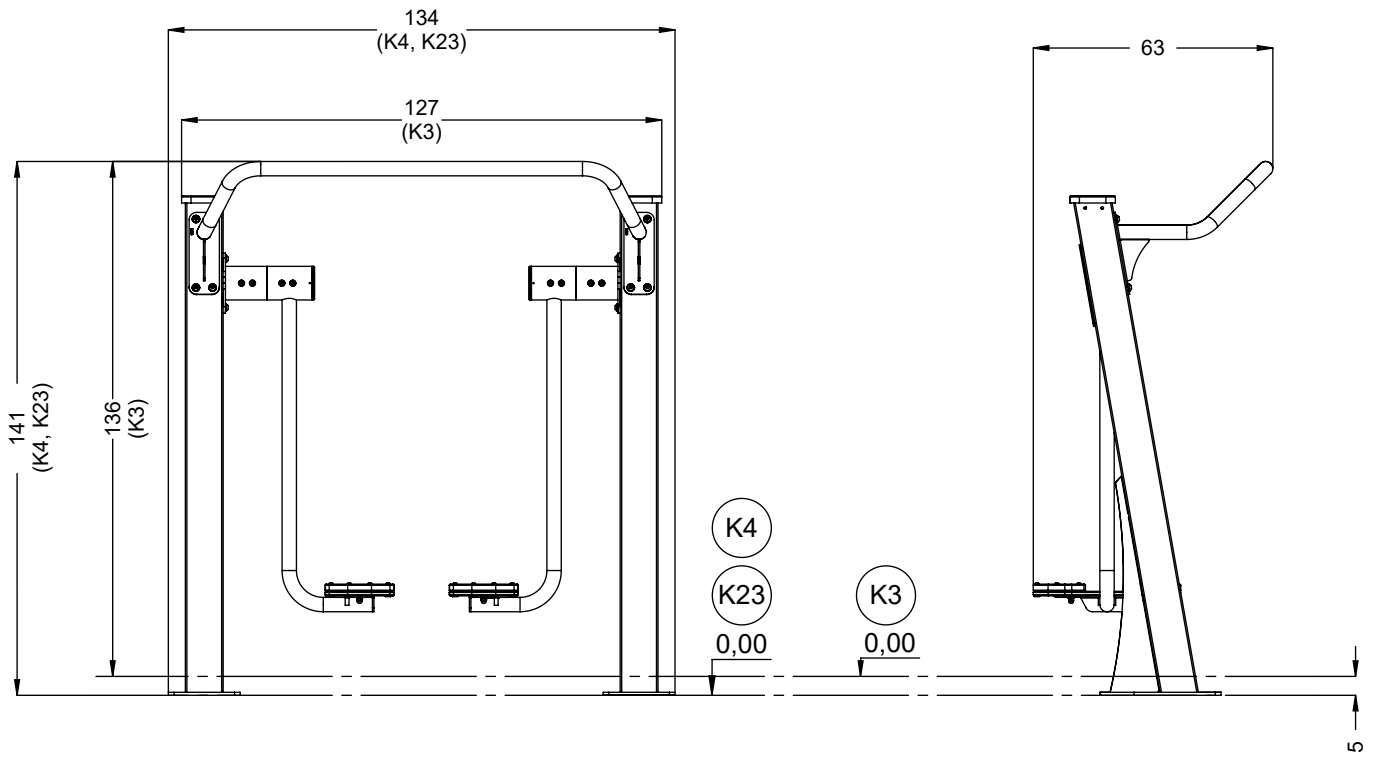
# 1106



v011  
12.07.2021  
A. H.  
[cm]

vinci  
play



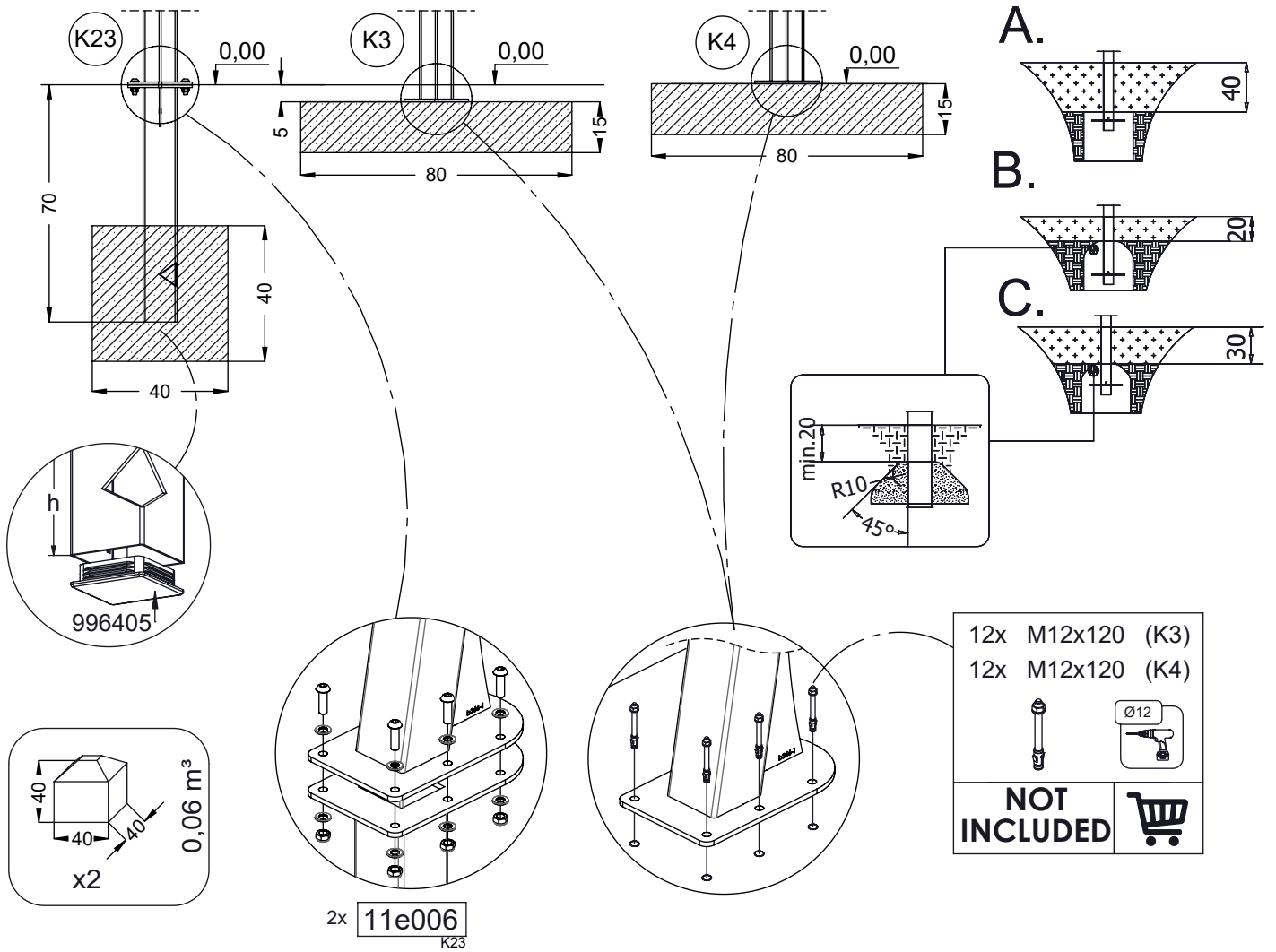


[cm]

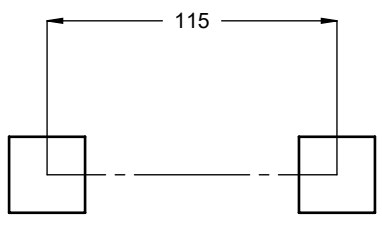


vinci  
play

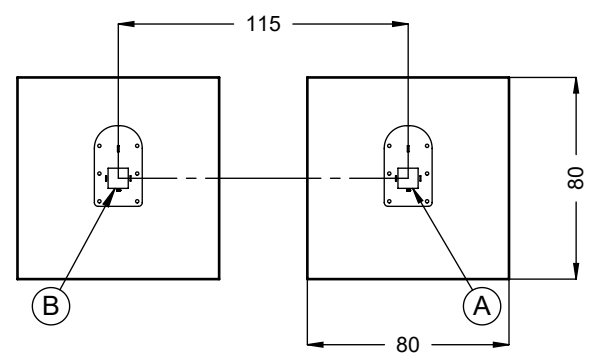




K23



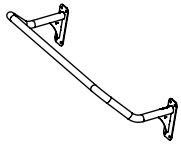
K3 K4



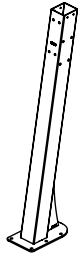
[cm]

x2  
 1h  
  
 48h  
 K3/K4 x2 >0.09m³  
 K23 x2 >0.06m³

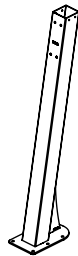
vinci play



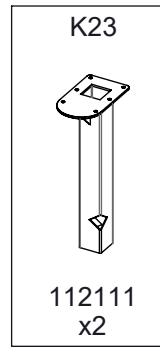
112122  
112184 (inox)  
x1



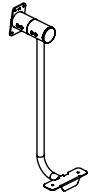
1106B  
x1



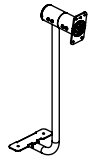
1106A  
x1



111113  
x2

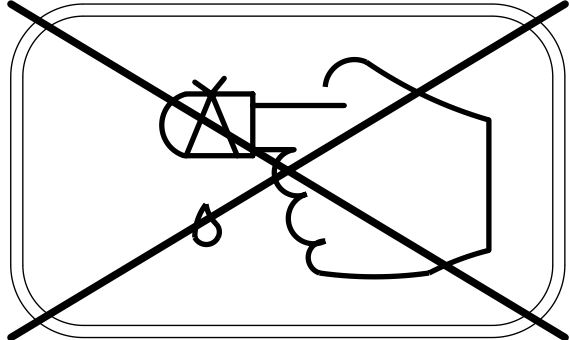
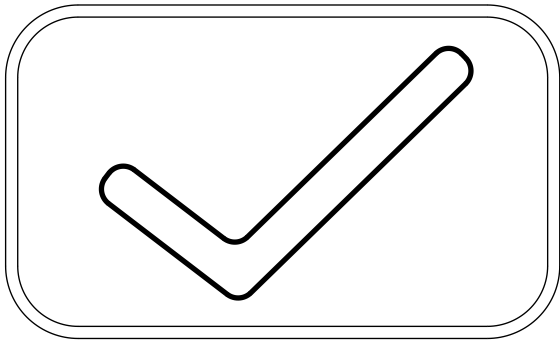
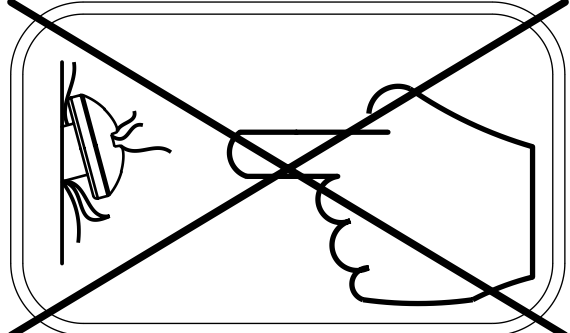
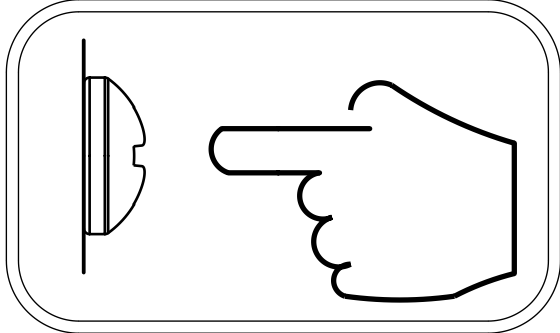
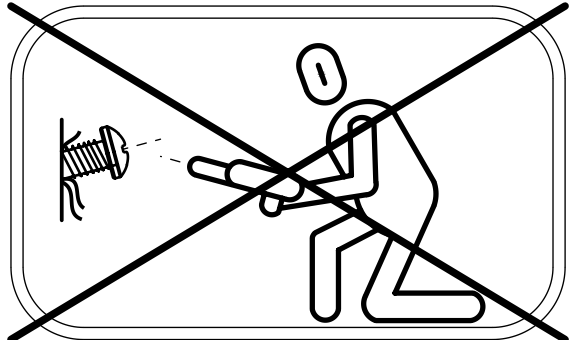
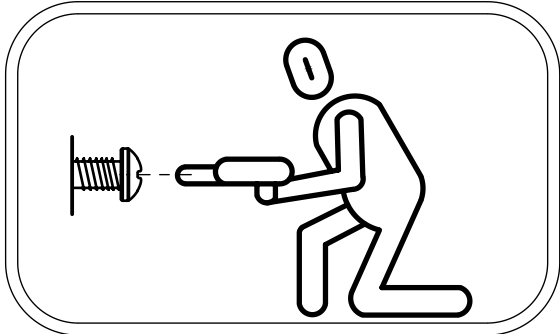


114104  
114105 (inox)  
x1

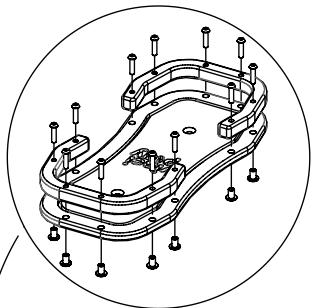
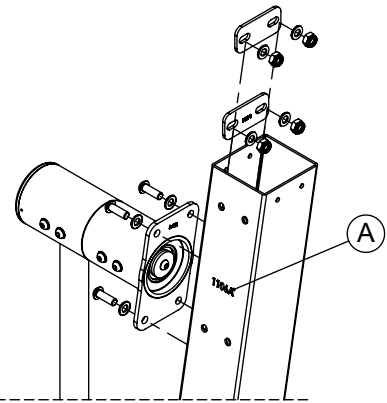
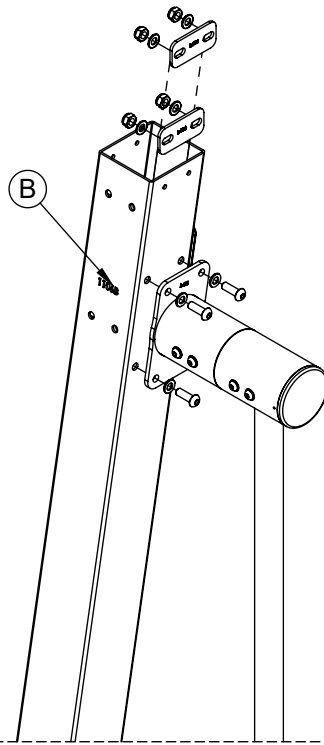


114106  
114107 (inox)  
x1

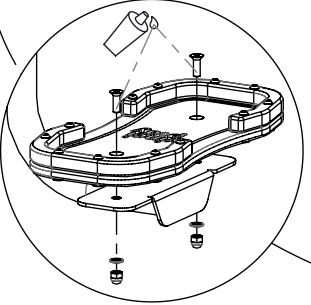
ST/INOX	
2x	11e006 (K23)
2x	11e001
1x	11e003
4x	11e004
1x	11e009
2x	11e011
1x	116106
2x	996405



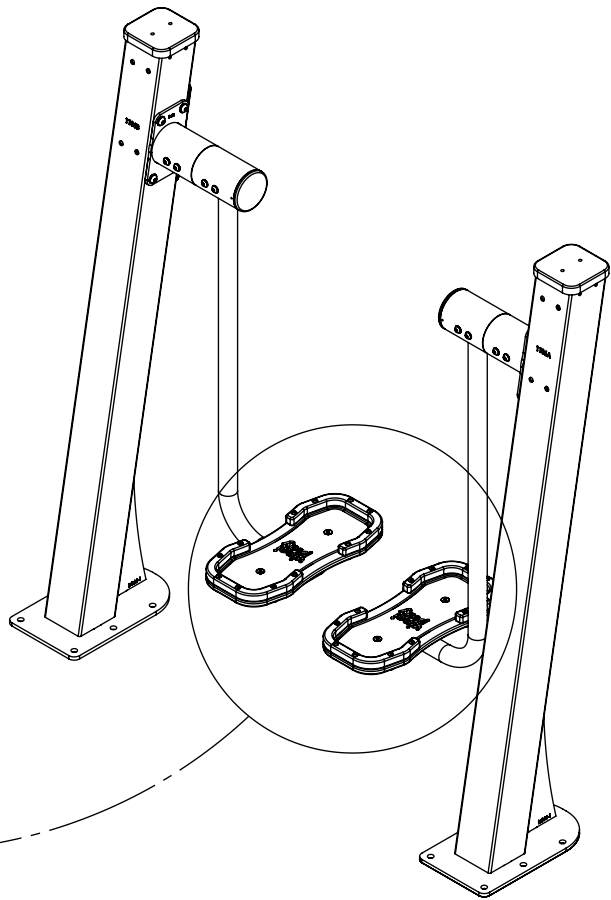
2x 11e004



2x 11e011



1x 11e009

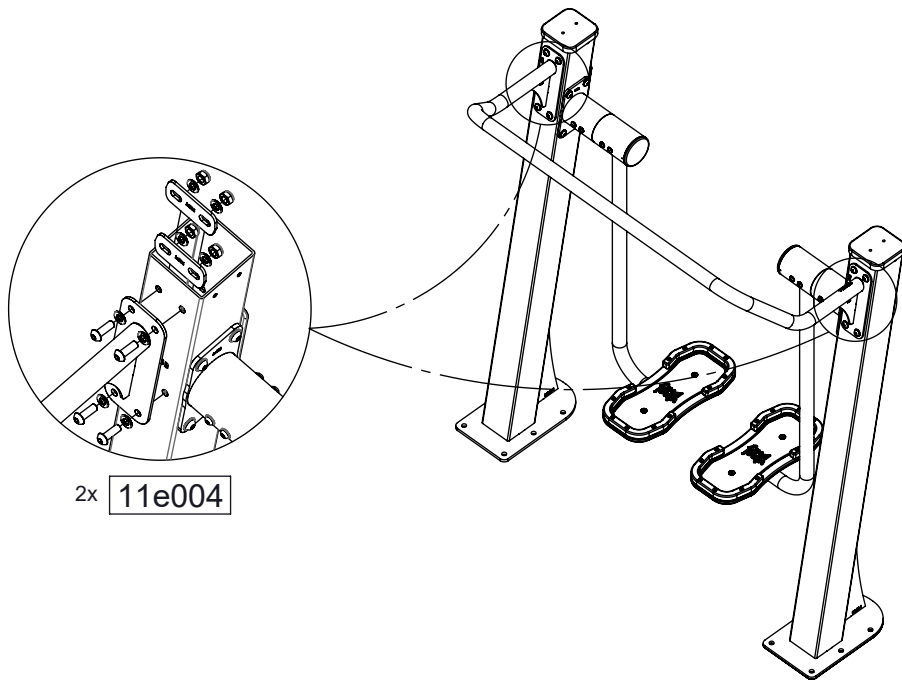


[cm]

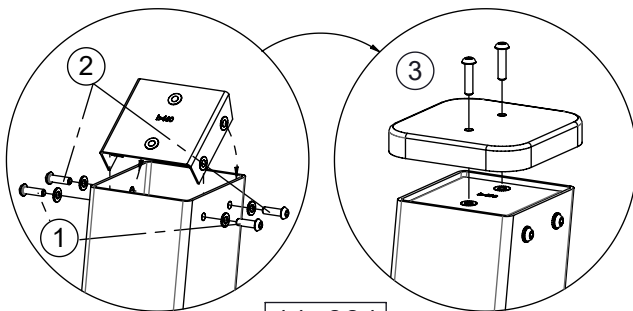


vinci  
play

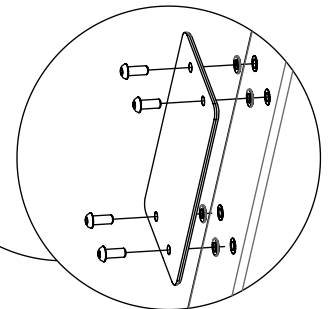
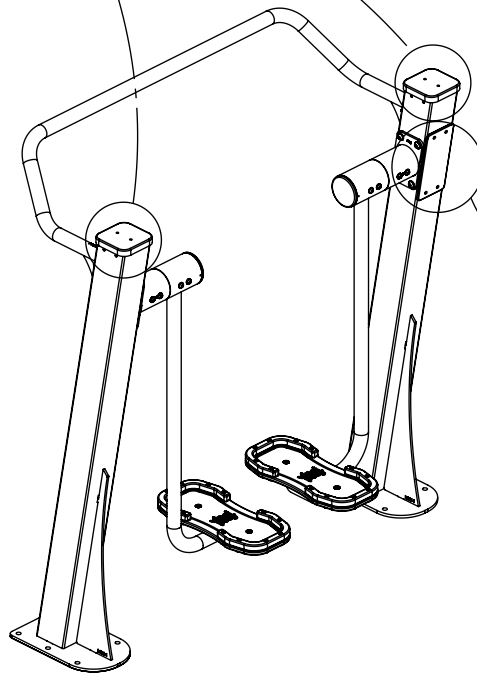




2x 11e004



2x 11e001



1x 11e003

1x 116106

[cm]



vinci  
play